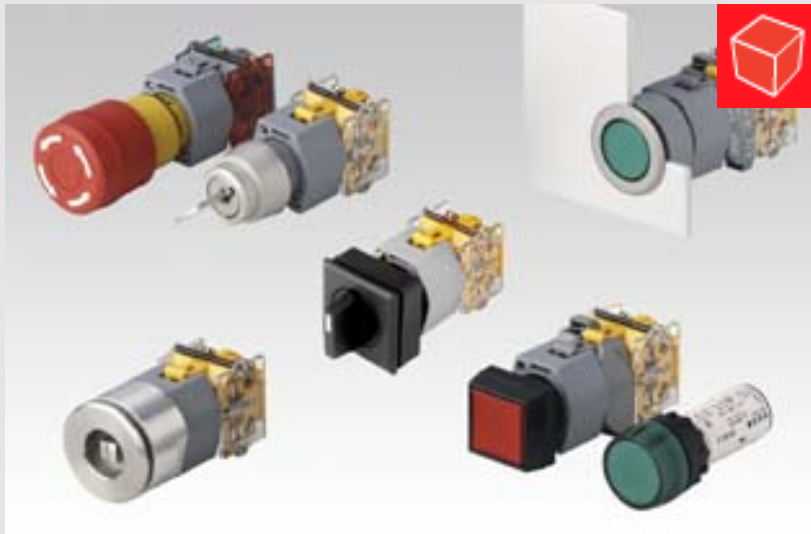


## Series 04



Front size	29 mm dia. 30 x 30 mm 35 mm dia. 35 x 35 mm 37 mm dia. 38 mm dia. 40 mm dia.
Front protection	IP 40 IP 54 IP 65 IP 67
Mounting hole size	22.5 mm dia. 30 x 30 mm 30.5 mm dia. 33.5 mm dia.
Switching System	Slow-make switching element Snap-action switching element
Switch rating	10 A, VAC 500 VAC, 10 A
Illumination	Filament lamp LED

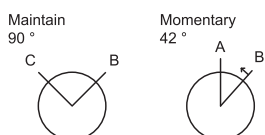
# Devices raised mounting

## Selector switch actuator 2 positions, short lever



### Essential Accessories:

Switching element page 50

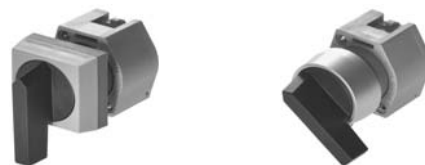


	Front protection	Switching action	Front ring	Lever	∅ 30 x 30 mm Typ-Nr.	∅ 29 mm Typ-Nr.	Mounting dimensions	Technical drawing	Circuit drawing	
<b>Selector switch actuator 2 positions, short lever</b> Position A : Basic position Position B : Momentary action 42°	IP 65	M	Plastic light-grey	Plastic black	<b>704.512.0</b>	<b>704.412.0</b>	5 11	39	0.034	
Position C + B : Maintained action 90°	IP 65	MA	Plastic light-grey	Plastic black	<b>704.510.0</b>	<b>704.410.0</b>	5 11	40	0.034	
Position A : Basic position Position B : Momentary action 42°	IP 65	M	Aluminium natural	Plastic black		<b>704.413.0</b>	5 11	39	0.037	
Position C + B : Maintained action 90°	IP 65	MA	Aluminium natural	Plastic black		<b>704.411.0</b>	5 11	40	0.037	

Switching action: M = Momentary action, MA = Maintained action

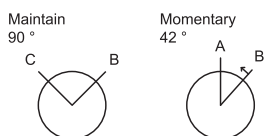
Mounting dimensions from page 86, Technical drawing from page 90, Circuit drawing from page 109

## Selector switch actuator 2 positions, long lever



### Essential Accessories:

Switching element page 50



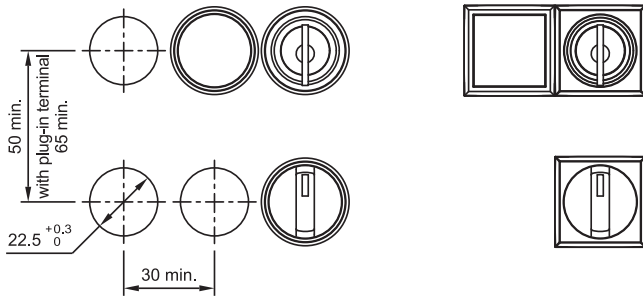
	Front protection	Switching action	Front ring	Lever	∅ 30 x 30 mm Typ-Nr.	∅ 29 mm Typ-Nr.	Mounting dimensions	Technical drawing	Circuit drawing	
<b>Selector switch actuator 2 positions, long lever</b> Position A : Basic position Position B : Momentary action 42°	IP 65	M	Plastic light-grey	Plastic black	<b>704.302.0</b>	<b>704.102.0</b>	6 10	39	0.034	
Position C + B : Maintained action 90°	IP 65	MA	Plastic light-grey	Plastic black	<b>704.300.0</b>	<b>704.100.0</b>	6 10	40	0.034	
Position A : Basic position Position B : Momentary action 42°	IP 65	M	Aluminium natural	Plastic black		<b>704.103.0</b>	6 10	39	0.037	
Position C + B : Maintained action 90°	IP 65	MA	Aluminium natural	Plastic black		<b>704.101.0</b>	6 10	40	0.037	

Switching action: M = Momentary action, MA = Maintained action

Mounting dimensions from page 86, Technical drawing from page 90, Circuit drawing from page 109

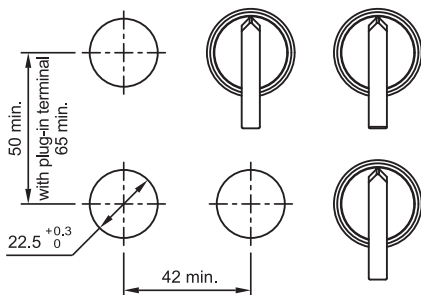
# Drawings

5 Indicator full face illumination page 13 | Indicator front illumination page 14 | Flasher full face illumination page 15 | Flasher front illumination page 16 | Buzzer page 17 | Pushbutton actuator page 18 | Illuminated pushbutton actuator page 20 | Keylock switch actuator 2 positions page 25 | Keylock switch actuator 3 positions page 26 | Selector switch actuator 2 positions, short lever page 27 | Selector switch actuator 3 positions, short lever page 28

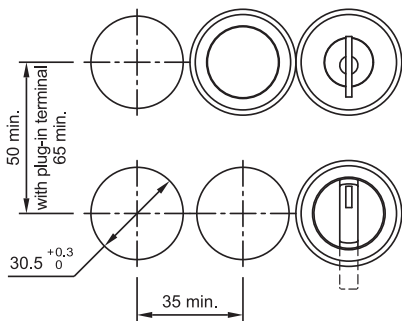


Hole spacing 31 mm min. by using blind plug 704.960.4

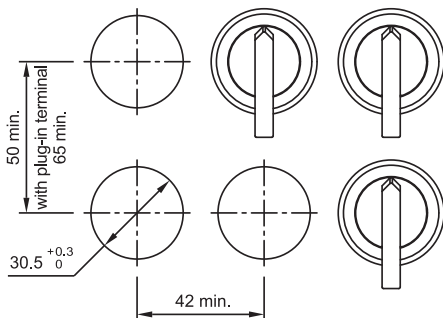
6 Selector switch actuator 2 positions, long lever page 27 | Selector switch actuator 3 positions, long lever long page 29



7 Indicator, flush mounting page 31 | Flasher, flush mounting page 32 | Buzzer, flush mounting page 32 | Pushbutton actuator, flush mounting page 33 | Illuminated pushbutton actuator, flush mounting page 35 | Keylock switch actuator 2 positions, flush mounting page 37 | Keylock switch actuator 3 positions, flush mounting page 38 | Selector switch actuator 2 positions, short lever, flush mounting page 39 | Selector switch actuator 2 positions, long lever, flush mounting page 40 | Selector switch actuator 3 positions, short lever, flush mounting page 41 | Keylock rotary switch actuator, flush mounting page 44 | Front bezel set for Indicator and Pushbutton, flush mounting page 66 | Front bezel set for Indicator and Pushbutton, flush mounting page 71

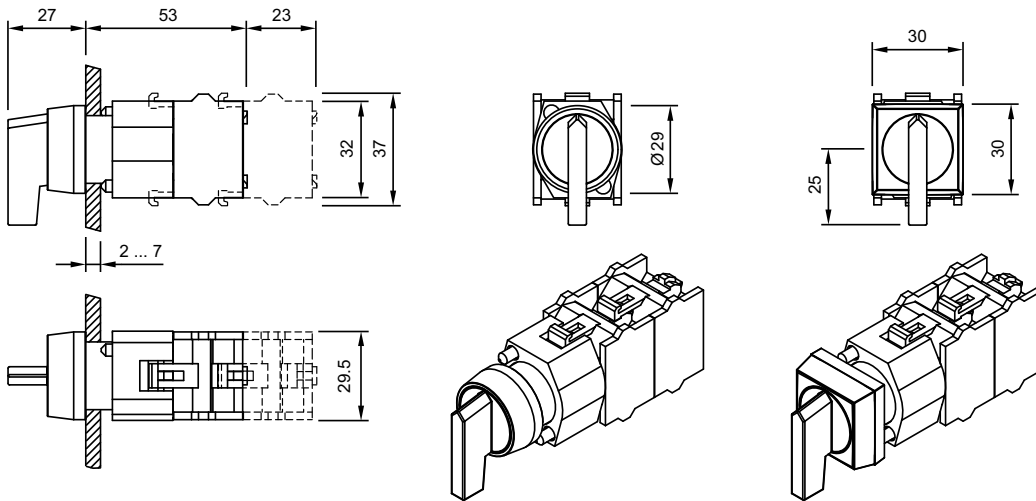


8 Selector switch actuator 3 positions, long lever, flush mounting page 42

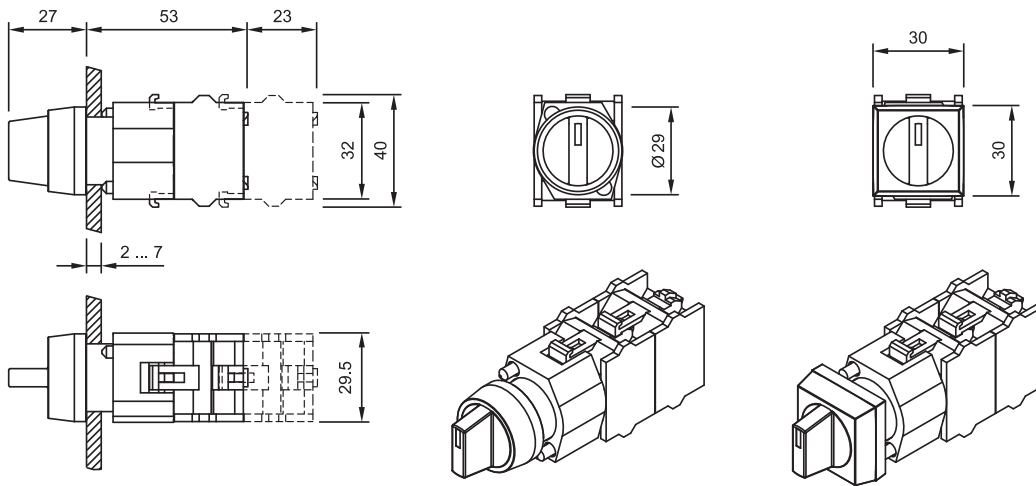


# Drawings

10 Selector switch actuator 2 positions, long lever page 27 | Selector switch actuator 3 positions, long lever long page 29



11 Selector switch actuator 2 positions, short lever page 27 | Selector switch actuator 3 positions, short lever page 28



12 Stop pushbutton actuator page 22

